

Reference: S3100 MONTI®

Designation : casted stainless steel spider, with plate.



Technical assessment available online at www.sadev.com



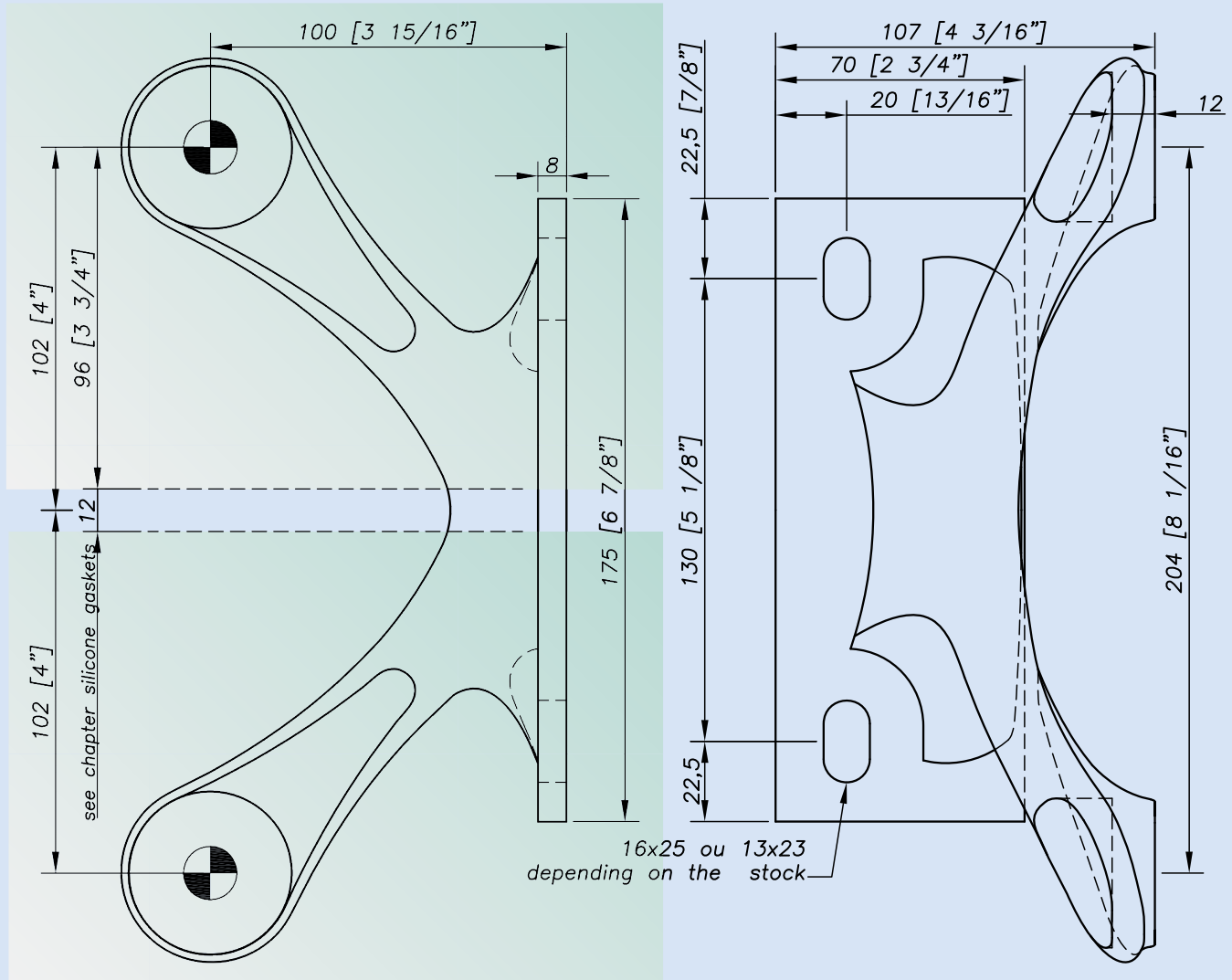
Glass side view



Material: AISI 316 - Surface finish: dull polished GR400

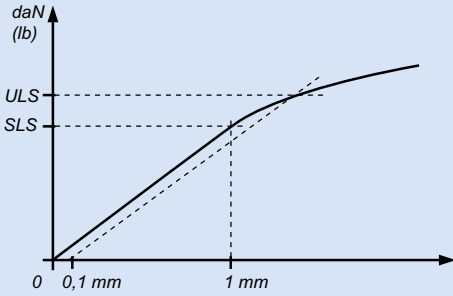
Dimensions:

Glass side view



Reference: S3100 MONTI®

Mechanical performances:

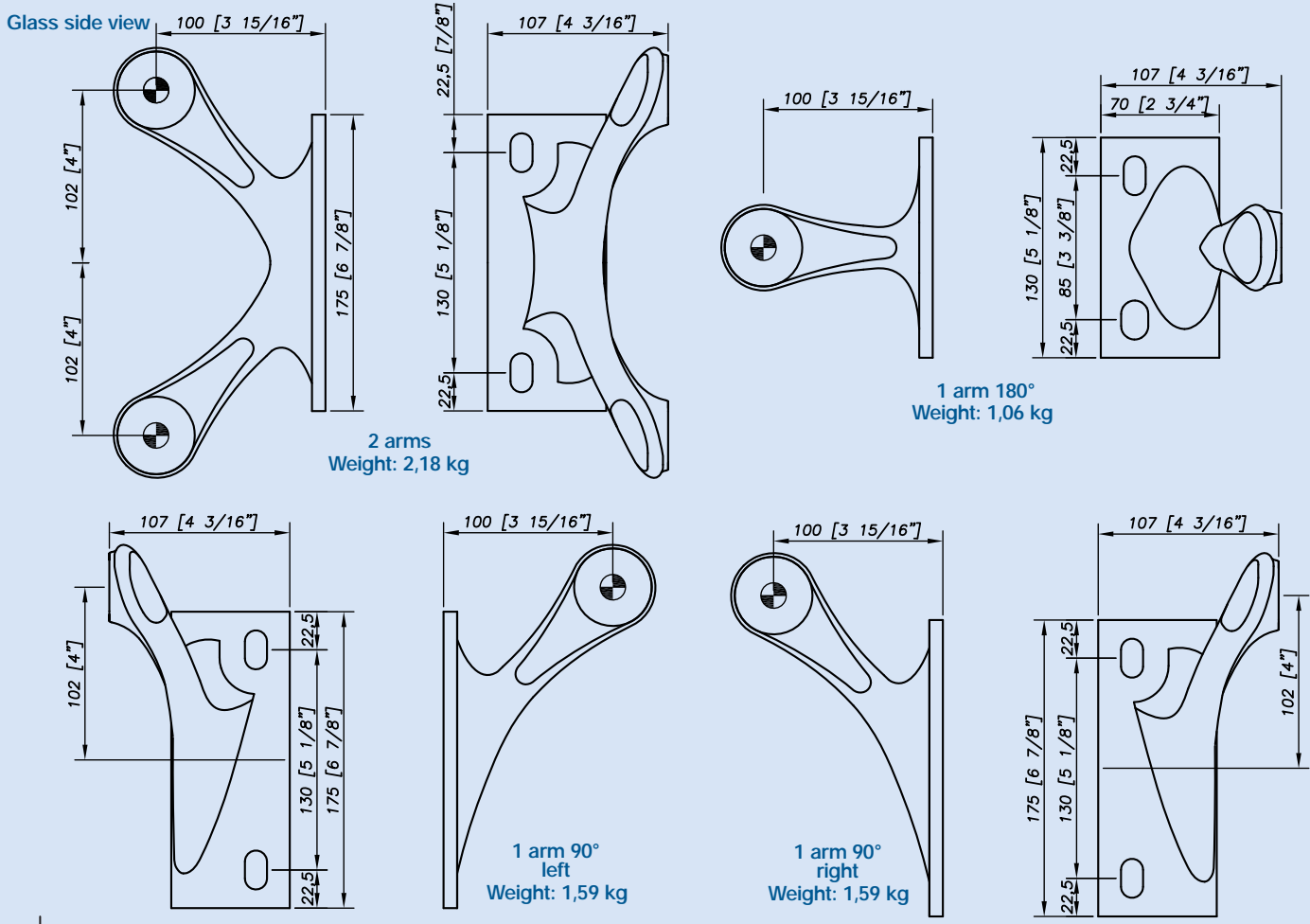


Load parallel to glass (per arm)	
SLS* at 1 mm	ULS*
542 daN (1218 lb)	410 daN (921 lb)

Load perpendicular to glass (per arm)	
SLS* at 1 mm	ULS*
195 daN (438 lb)	184 daN (413 lb)

*SLS: Serviceability Limit State (load causing a deformation of 1 mm)
 ULS: Ultimate Limit State: Elastic limit Rp0.1 (maximal load causing a permanent deformation of the spider of 0,1 mm).

Configuration:



Represents a fixed point Ø 17 mm, a slotted point Ø 17x24 mm, or a free point Ø 24 mm depending on the position of the spider on the façade (see suggested mounting instructions at the end of the chapter).

Suggested mounting instruction:

The fixing of the spider is done with a M16 or a M12 bolt (out of Sadev supply). The slotted holes Ø 17 x 24 mm and free holes Ø 24 mm in the spider are not to be used to adjust the spider! They are needed to absorb the manufacturing tolerances and the thermal deformation of the glass and of the structure. The spiders are standardized for M14 fittings (FXR, FXV). Other diameters are available on request.

SADEV recommends using thread locking compound, except in case of specific mounting constraints.